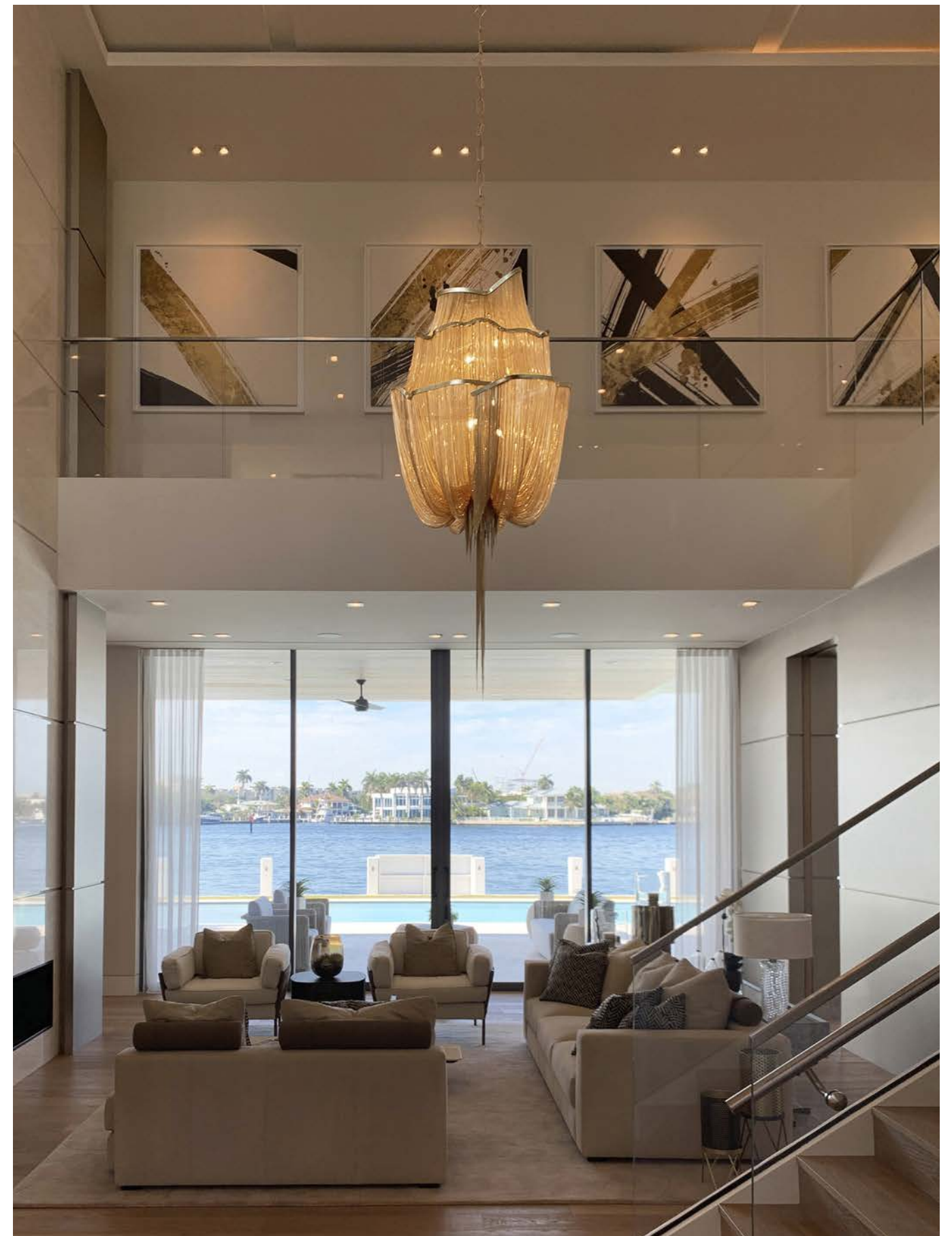


Atlantis, a precious *wave.*

Seemingly alive, Atlantis' shimmering light creates a vibrant source of energy. Its mesmerizing, organic effect is created by hundreds of illuminated lengths of draped, nickel chain. Like water in the ocean, Atlantis' chains appear liquid, cascading over its gloss nickel bands and falling down towards the abyss before turning back into itself. Atlantis is composed of almost three miles of chain, meticulously hand-crafted by master italian artisans. Atlantis is available in nickel, black nickel, bronze, gold and champagne finish. Design Barlas Baylar.

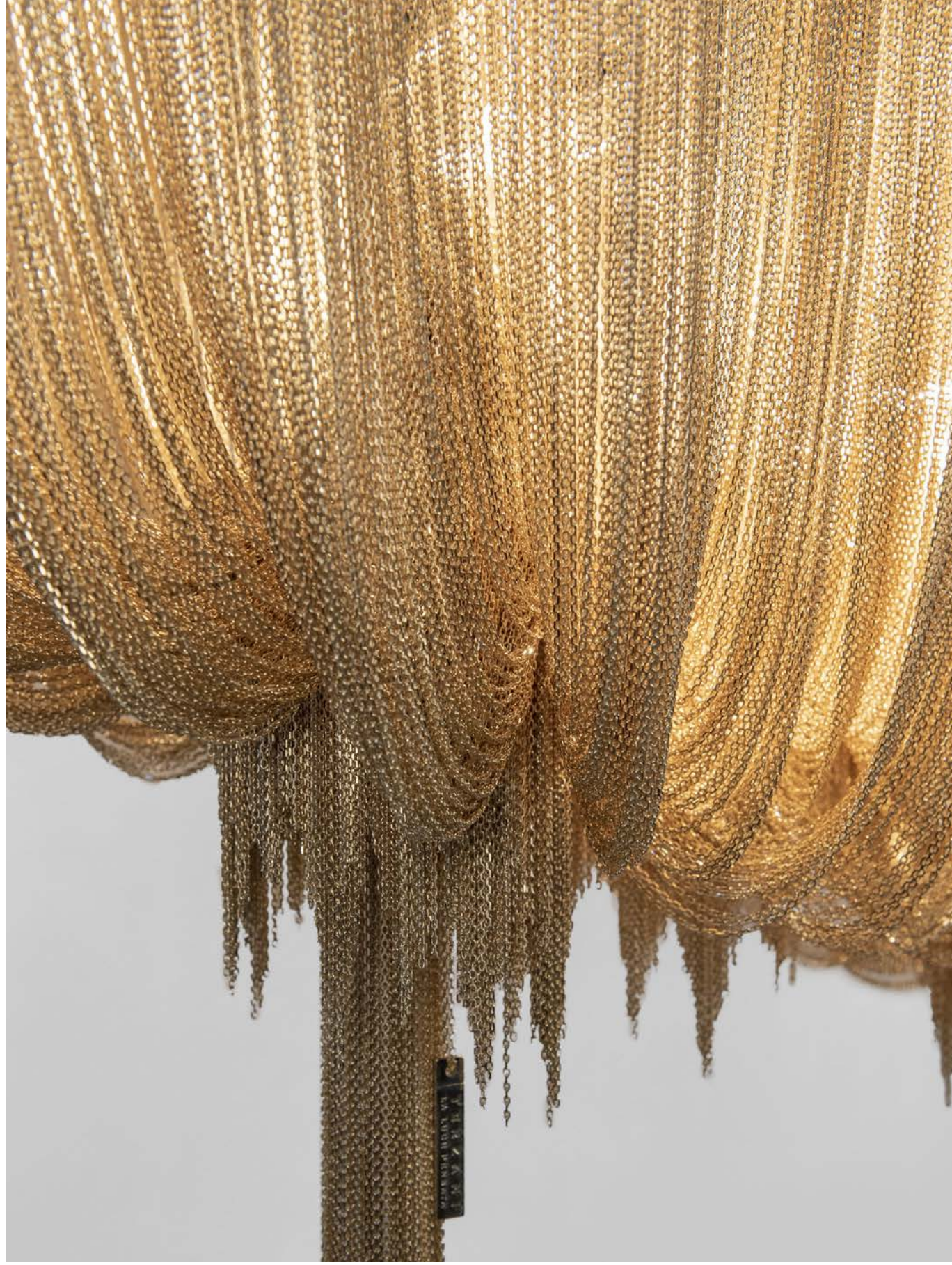












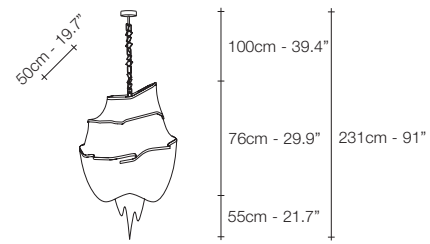




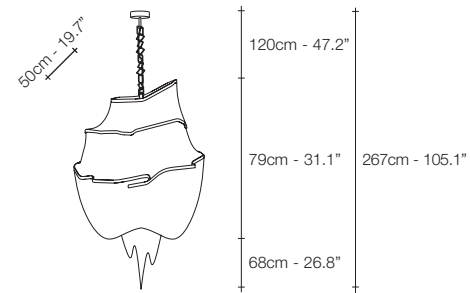




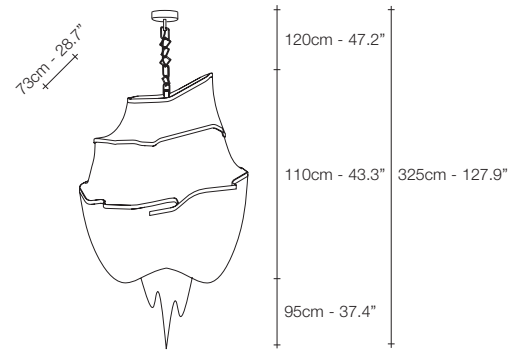




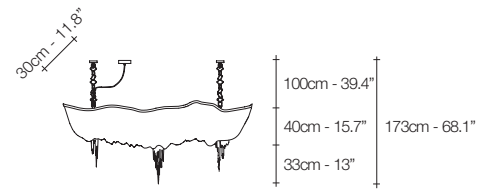
A13S



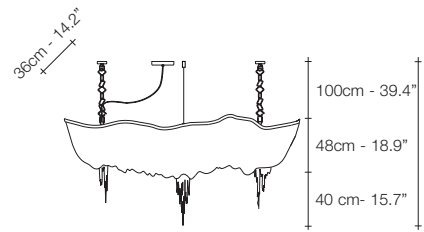
A14S



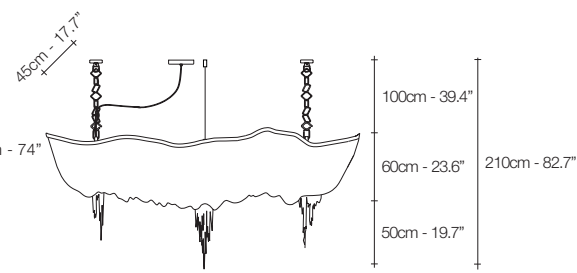
A15S



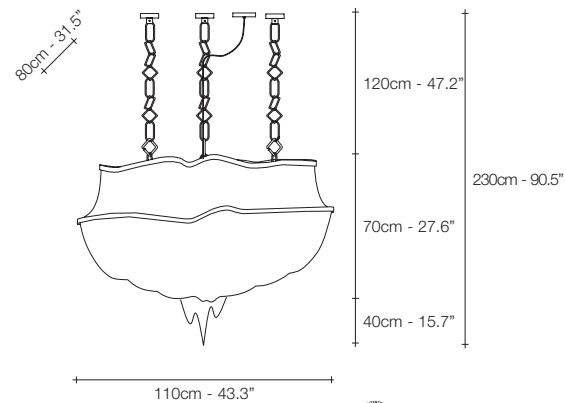
A18S



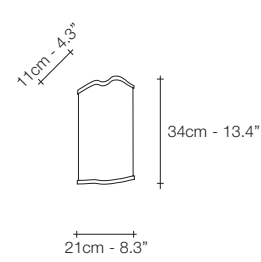
A17S



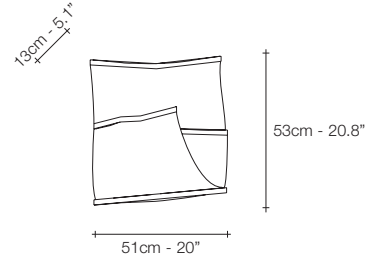
A16S



J01S



J04A



J03A



NICKEL



BLACK NICKEL



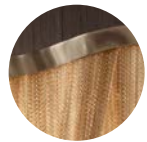
BRONZE



GOLD PLATED



CHAMPAGNE



BRUSHED CHAMPAGNE

LIGHT SOURCE		A13S	A14S	A15S	A18S	A17S	A16S	J01S	J04A	J03A
230V	E14 LED	6x6W	8x6W	8x6W	8x6W	10x6W	10x6W	8x6W	2x6W	4x6W
	Dimmable	✓	✓	✓	✓	✓	✓	✓	✓	✓
120V	E12 LED	6x5.5W	8x5.5W	8x5.5W	8x5.5W	10x5.5W	10x5.5W	10x5.5W	2x5.5W	4x5.5W
	Dimmable	✓	✓	✓	✓	✓	✓	✓	✓	✓

